

# PRODUCT INFORMATION PACKET

**marathon**<sup>®</sup>  
Motors

Model No: 056C34F5339  
Catalog No: T015  
1,3600,TEFC,56,1/60/115/208-230  
Power Tools



Regal and Marathon are trademarks of Regal Beloit Corporation or one of its affiliated companies.  
©2018 Regal Beloit Corporation, All Rights Reserved. MC017097E

**REGAL**<sup>®</sup>



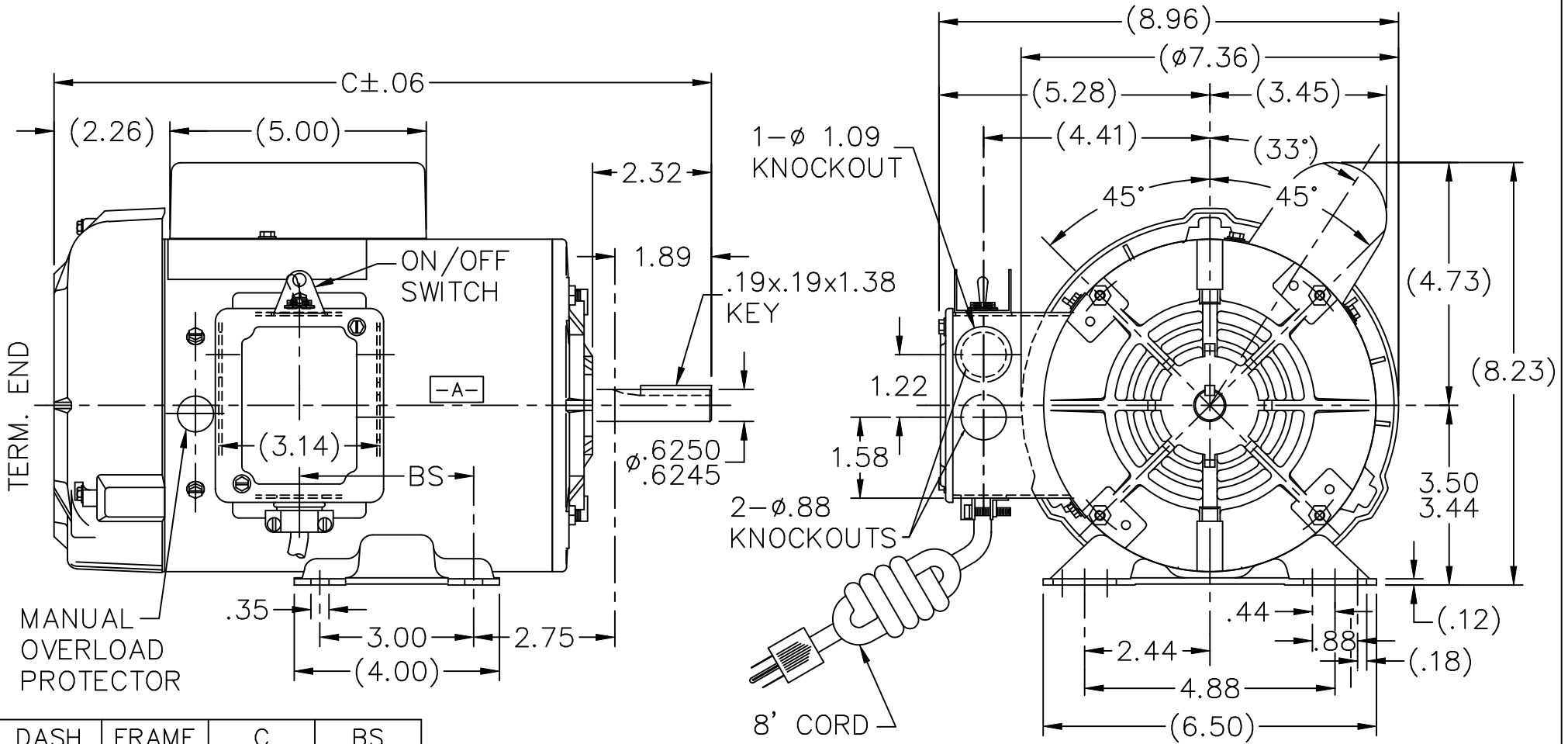
### Nameplate Specifications

|                            |                                    |                        |                      |
|----------------------------|------------------------------------|------------------------|----------------------|
| Output HP                  | <b>1 Hp</b>                        | Output KW              | <b>0.75 kW</b>       |
| Frequency                  | <b>60 Hz</b>                       | Voltage                | <b>115/208-230 V</b> |
| Current                    | <b>12.4/6.7-6.2 A</b>              | Speed                  | <b>3450 rpm</b>      |
| Service Factor             | <b>1.15</b>                        | Phase                  | <b>1</b>             |
| Efficiency                 | <b>72 %</b>                        | Duty                   | <b>Continuous</b>    |
| Insulation Class           | <b>B</b>                           | Design Code            | <b>L</b>             |
| KVA Code                   | <b>K</b>                           | Frame                  | <b>56</b>            |
| Enclosure                  | <b>Totally Enclosed Fan Cooled</b> | Overload Protector     | <b>Manual</b>        |
| Ambient Temperature        | <b>40 °C</b>                       | Drive End Bearing Size | <b>6203</b>          |
| Opp Drive End Bearing Size | <b>6203</b>                        | UL                     | <b>Recognized</b>    |
| CSA                        | <b>Y</b>                           | CE                     | <b>Y</b>             |
| IP Code                    | <b>43</b>                          |                        |                      |

### Technical Specifications

|                       |                                      |                       |                                   |
|-----------------------|--------------------------------------|-----------------------|-----------------------------------|
| Electrical Type       | <b>Capacitor Start Induction Run</b> | Starting Method       | <b>Across The Line</b>            |
| Poles                 | <b>2</b>                             | Rotation              | <b>Selective Counterclockwise</b> |
| Mounting              | <b>Rigid base</b>                    | Motor Orientation     | <b>Horizontal</b>                 |
| Drive End Bearing     | <b>Ball</b>                          | Opp Drive End Bearing | <b>Ball</b>                       |
| Frame Material        | <b>Rolled Steel</b>                  | Shaft Type            | <b>T</b>                          |
| Overall Length        | <b>12.32 in</b>                      | Frame Length          | <b>7.06 in</b>                    |
| Shaft Diameter        | <b>0.625 in</b>                      | Shaft Extension       | <b>2.32 in</b>                    |
| Assembly/Box Mounting | <b>F1 Only</b>                       |                       |                                   |
| Outline Drawing       | <b>A-104240-706</b>                  | Connection Diagram    | <b>102005-79</b>                  |

This is an uncontrolled document once printed or downloaded and is subject to change without notice. Date Created: 06/29/2018



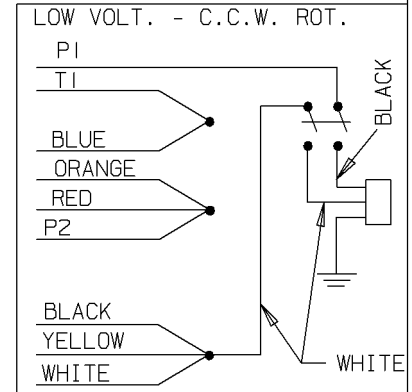
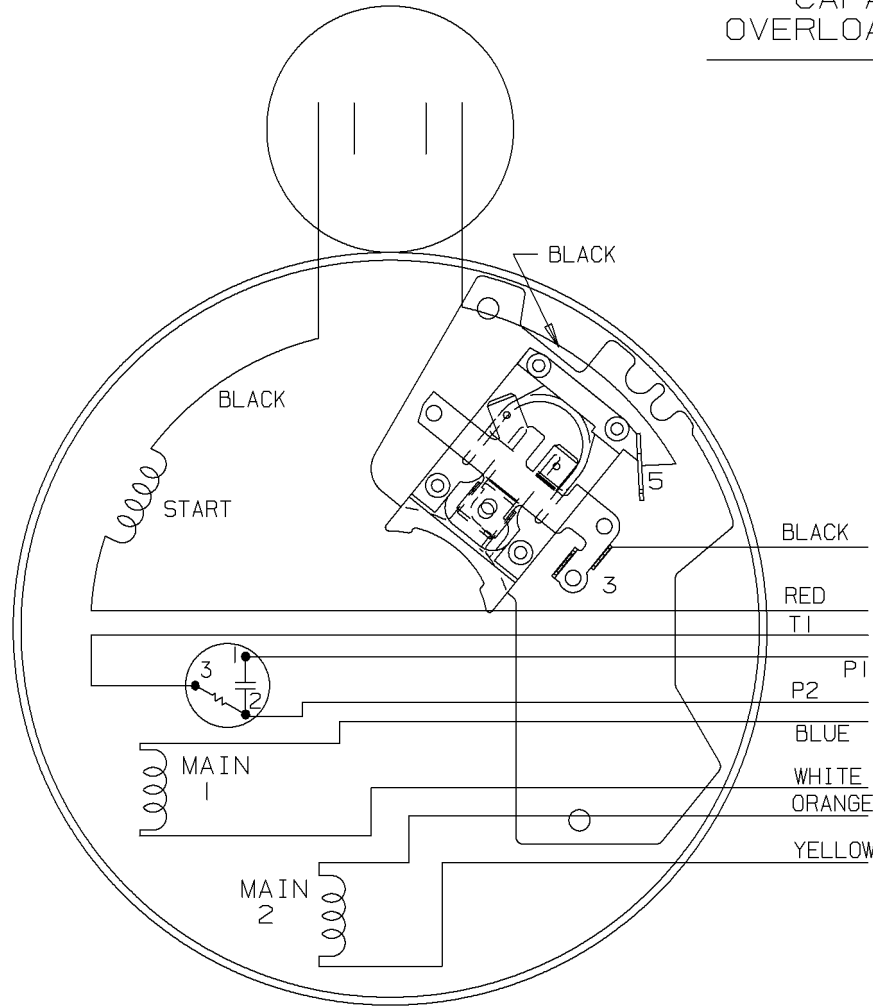
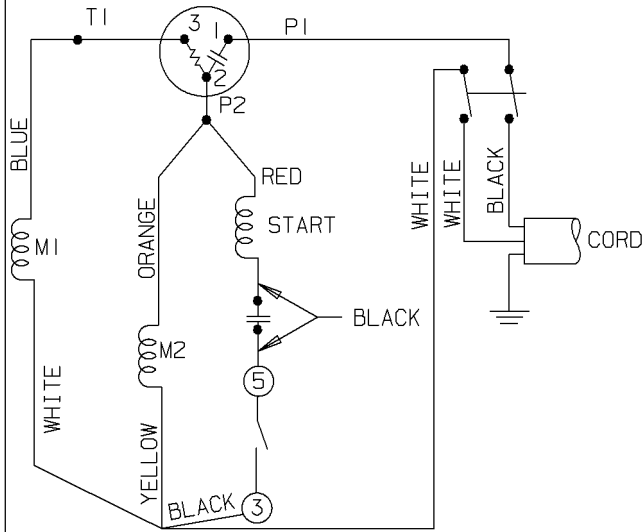
| DASH | FRAME | C     | BS   |
|------|-------|-------|------|
| 656  | 56-65 | 11.82 | 2.40 |
| 706  | 56-70 | 12.32 | 2.90 |
| 756  | 56-75 | 12.82 | 3.40 |

NOTES:

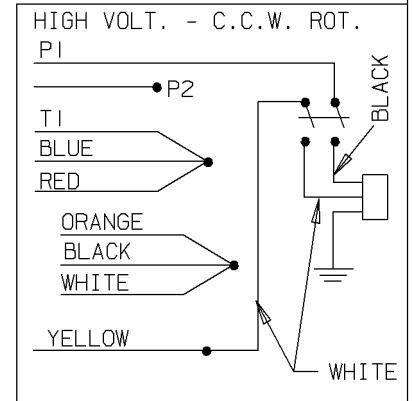
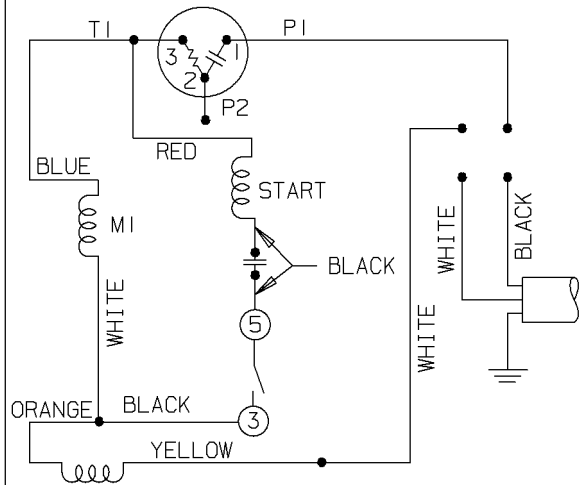
1. CONDUIT BOX CAN BE ROTATED 180°
2. NAMEPLATE TO BE READ FROM CONDUIT BOX SIDE

|  |                    |                |      | TOLERANCES UNLESS SPECIFIED |        |   | DRAWN MH 01-28-1997 |                |      |    |      |
|--|--------------------|----------------|------|-----------------------------|--------|---|---------------------|----------------|------|----|------|
|  |                    |                |      | DEC.                        | INCHES |   | CHK                 | ML 01-30-1997  |      |    |      |
|  |                    |                |      | .X                          | ±.1    |   | APPD                | SAT 02-04-1997 |      |    |      |
| 3  | UPDATED DRAWING    | RJW 03-29-2007 |      | .XX                         | ±.03   | TITLE OUTLINE - MANUAL PROTECTOR<br>56 FR. - BB - TEFC - 1ø | SCALE 11=32         |                |      |    |      |
| 2  | REDRAWN IN AUTOCAD | TAT 06-24-2005 | DRS  | .XXX                        | ±.005  |   | REF                 |                |      |    |      |
| 1  | NEW DRAWNG MU12083 | MH 02-04-1997  |      | .XXXX                       | ±.0005 |   | FMF                 |                |      |    |      |
| NO.  | REVISION           | BY & DATE      | CHK  | ANG                         | ±7'30" | FINISH  | PREV                |                |      |    |      |
| THIS DRAWING IN DESIGN AND DETAIL IS OUR PROPERTY AND MUST NOT BE USED EXCEPT IN CONNECTION WITH OUR WORK ALL RIGHTS OF DESIGN AND INVENTION ARE RESERVED THIS IS AN ELECTRONICALLY GENERATED DOCUMENT - DO NOT SCALE THIS PRINT |                    |                | RFP  | CAD FILE 104240             |        |   | SIZE                | DRAWING NO.    | PAGE | OF | REV. |
|  |                    |                | DIST | WP                          |        |   | A                   | 104240         |      | 3  |      |

DUAL VOLTAGE  
CAPACITOR START  
OVERLOAD SELECT ROT.



HIGH VOLTAGE - C.C.W.



FOR C.W. ROTATION  
EITHER VOLTAGE  
INTERCHANGE RED  
WITH BLACK LEAD

|     |            |                             |      |   |  |  |                         |
|-----|------------|-----------------------------|------|---|--|--|-------------------------|
|     |            |                             |      | ✓ MAX. SURFACE ROUGHNESS UNLESS NOTED OTHERWISE | UNLESS OTHERWISE SPECIFIED DIMENSIONS ARE IN INCHES<br>TOL. ON XX± .02 XXX± .005 XXXX± .0005 ANGLES± 7'30" |  |                         |
|     |            |                             |      | MATL SPEC                                       |  |  | DRAWN BY PGK 05-14-1996 |
|     |            |                             |      | FINISH  |  |  | CHKD BY KL 07-18-1996   |
| 2   | 07-08-1996 | REDRAWN ON CADD, NO CHANGES | PGK  | REFERENCE DRW.                                  |  |  | WAUSAU, WISCONSIN 54401 |
| REV | DATE       | CHANGE                      | NAME | PART NAME CONNECTION DIAGRAM                    |  |  | DRWG NO<br>A-102005-79  |

SHOP BOOK

PURCHASED

DISTRIBUTION - WA - LB - WP - LM - BR

CADD FILE NO.

0200579

CERTIFICATION DATA SHEET

Model#: 56C34F5339 D WINDING#: ZC223 NONE 3  
 CONN. DIAGRAM: 102005-79 ASSEMBLY: F1 ONLY  
 OUTLINE: A-104240-706

TYPICAL MOTOR PERFORMANCE DATA

| HP | KW  | SYNC. RPM | F.L. RPM | FRAME | ENCLOSURE | KVA CODE | DESIGN |
|----|-----|-----------|----------|-------|-----------|----------|--------|
| 1  | .75 | 3600      | 3450     | 56    | TEFC      | K        | L      |

| PH | Hz | VOLTS       | FL AMPS      | START TYPE      | DUTY       | INSL | S.F  | AMB°C | ELEVATION |
|----|----|-------------|--------------|-----------------|------------|------|------|-------|-----------|
| 1  | 60 | 115/208-230 | 12.4/6.7-6.2 | ACROSS THE LINE | CONTINUOUS | B3   | 1.15 | 40    | 3300      |

| FULL LOAD EFF: 72 | 3/4 LOAD EFF: 70.1 | 1/2 LOAD EFF: 65.4 | GTD. EFF | ELEC. TYPE        | NO LOAD AMPS |
|-------------------|--------------------|--------------------|----------|-------------------|--------------|
| FULL LOAD PF: 76  | 3/4 LOAD PF: 75.1  | 1/2 LOAD PF: 66.8  | 0        | CAP START IND RUN | 5.4 / 2.7    |

| F.L. TORQUE | LOCKED ROTOR AMPS | L.R. TORQUE  | B.D. TORQUE  | F.L. RISE°C |
|-------------|-------------------|--------------|--------------|-------------|
| 23.8 LB-FT  | 73.8 / 36.9       | 75.4 LB-FT 0 | 62.8 LB-FT 0 | -           |

| SOUND PRESSURE @ 3 FT. | SOUND POWER | ROTOR WK^2 | MAX. WK^2 | SAFE STALL TIME | STARTS /HOUR | APPROX. MOTOR WGT |
|------------------------|-------------|------------|-----------|-----------------|--------------|-------------------|
| 0 dBA                  | 10 dBA      | 0 LB-FT^2  | 0 LB-FT^2 | 0 SEC.          | 0            | 0 LBS.            |

\*\*\* SUPPLEMENTAL INFORMATION \*\*\*

| DE BRACKET TYPE | ODE BRACKET TYPE | MOUNT TYPE | ORIENTATION | SEVERE DUTY | HAZARDOUS LOCATION | DRIP COVER | SCREENS | PAINT         |
|-----------------|------------------|------------|-------------|-------------|--------------------|------------|---------|---------------|
| STANDARD        | BRAKE            | RIGID      | HORIZONTAL  | FALSE       | NONE               | FALSE      | NONE    | GRAY (POWDER) |

| BEARINGS |      | GREASE     | SHAFT TYPE | SPECIAL DE | SPECIAL ODE | SHAFT MATERIAL           | FRAME MATERIAL |
|----------|------|------------|------------|------------|-------------|--------------------------|----------------|
| DE       | OPE  |            |            |            |             |                          |                |
| BALL     | BALL | POLYREX EM | T          | NONE       | NONE        | 1144 STRESSPROOF (C-223) | ROLLED STEEL   |
| 6203     | 6203 |            |            |            |             |                          |                |

| THERMO-PROTECTORS |            |          |          | THERMISTORS | CONTROL | SPACE /n HEATERS |
|-------------------|------------|----------|----------|-------------|---------|------------------|
| THERMOSTATS       | PROTECTORS | WDG RTDs | BRG RTDs |             |         |                  |
| NONE              | MANUAL     | NONE     | NONE     | NONE        | FALSE   | NONE VOLTS       |

If Inverter equals NONE, contact factory for further information

\*  
N  
O  
T  
E  
S  
\*

|                                |
|--------------------------------|
| INVERTER TORQUE: NONE          |
| INV. HP SPEED RANGE: NONE      |
| ENCODER: NONE                  |
| NONE NONE                      |
| NONE NONE PPR                  |
| BRAKE: PROVISIONS FOR KIT NONE |
| NONE P/N NONE                  |
| NONE NONE                      |
| NONE FT-LB NONE V NONE Hz      |

DATE: 06/27/2017 07:52:55 AM  
 FORM 3531 REV.3 02/07/99  
 \*\* Subject to change without notice.